



FITZGERALD[®]

BIDET



D25000004.XXX

FEATURES

- Vitreous china
- Traditional styling
- Bolt caps included

DIMENSIONS

NOMINAL DIMENSIONS

15-5/16" x 25-9/16" x 15-1/2" (389 x 649 x 394 mm)

BOWL INSIDE DIMENSIONS

9-7/8" (251 mm) wide
14-1/4" (362 mm) front to back
5-1/4" (133 mm) depth

COLORS/FINISHES

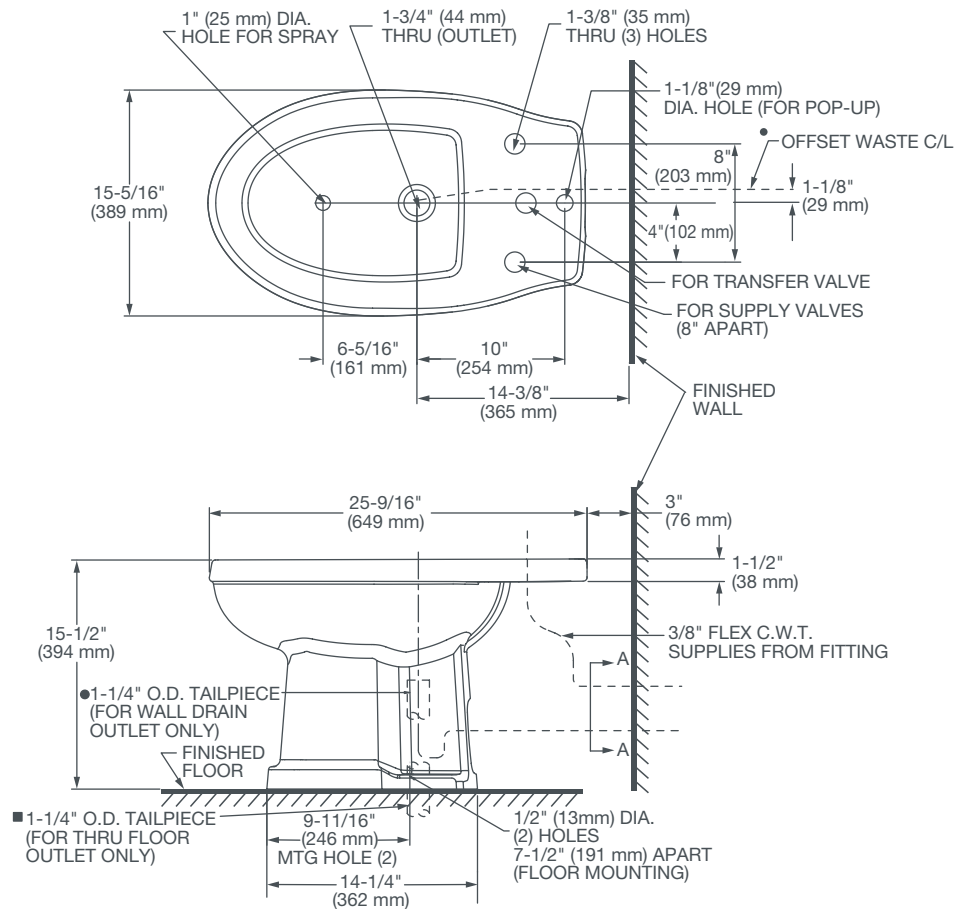
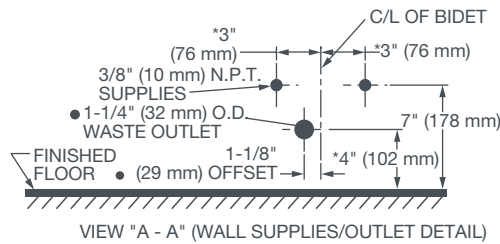
Canvas White (415), Biscuit (071)

ROUGH IN DIAGRAM SHOWN
ON NEXT PAGE



FITZGERALD®

BIDET



NOTES:

This toilet is designed to rough-in at a minimum dimension of 12" (305mm) from finished wall to C/L of outlet.

Supply not included with fixture and must be ordered separately.
Includes flex supply with integral shutoff valve, seat and bolt caps.

* Dimensions shown for location of supply is suggested.

IMPORTANT:

Dimensions of fixtures are nominal and may vary within the range of tolerance established by ANSI Standard A112.19.2. These measurements are subject to change or cancellation. No responsibility is assumed for use of superseded or voided pages.

PART OF LIXIL